

Technical data sheet

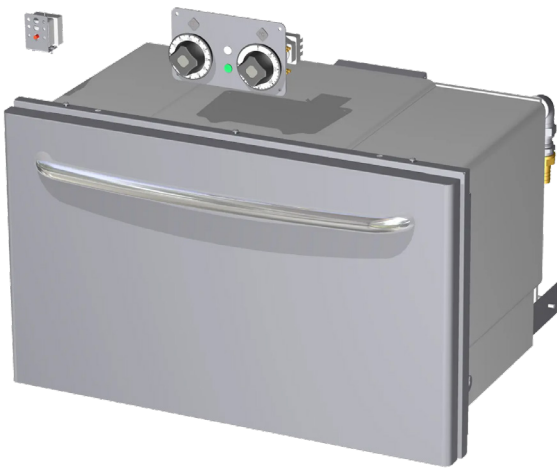
Product features



Oven electric GN 1/1 convection

Model	SAP Code	00013598
--------------	-----------------	----------

– Device type: Electric unit



SAP Code	00013598	Power electric [kW]	5.320
Net Width [mm]	800	Loading	400 V / 3N - 50 Hz
Net Depth [mm]	615	Width of internal part [mm]	550
Net Height [mm]	480	Depth of internal part [mm]	360
Net Weight [kg]	32.00	Height of internal part [mm]	340

Technical data sheet

Technical drawing

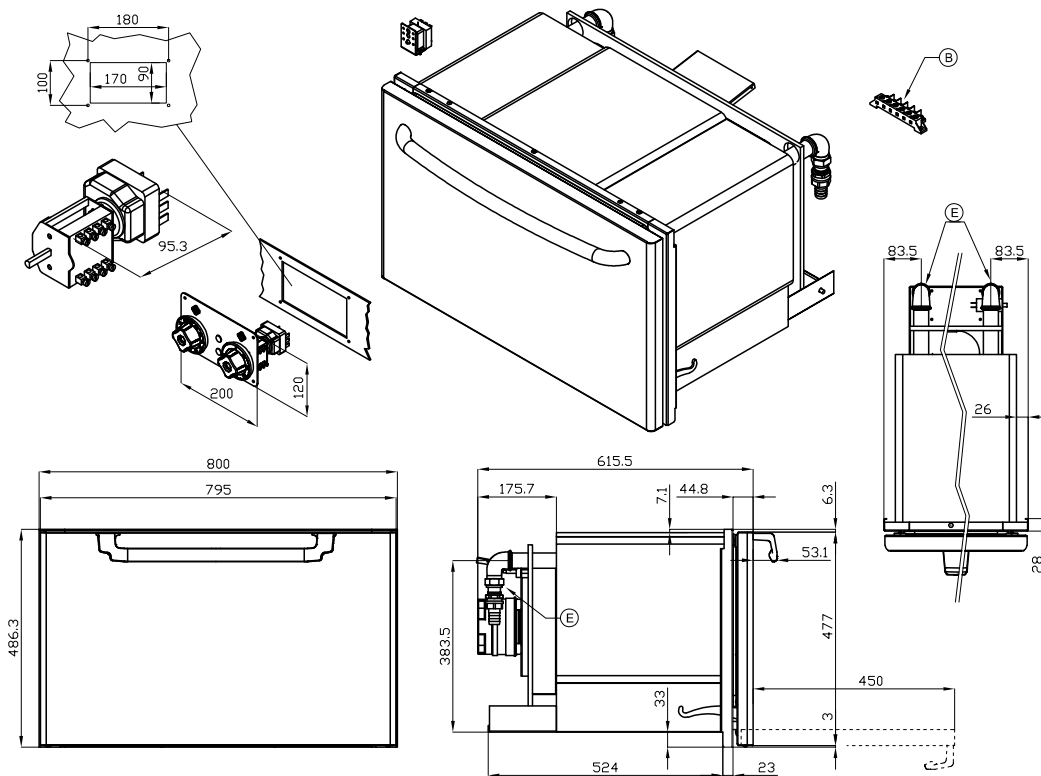


Oven electric GN 1/1 convection

Model

SAP Code

00013598



A	Data plate		B	Electrical connection	
E	Water drainage	(2X)Ø25mm			

Technical data sheet

Technical parameters



Oven electric GN 1/1 convection

Model

SAP Code

00013598

1. SAP Code:

00013598

2. Net Width [mm]:

800

3. Net Depth [mm]:

615

4. Net Height [mm]:

480

5. Net Weight [kg]:

32.00

6. Gross Width [mm]:

830

7. Gross depth [mm]:

770

8. Gross Height [mm]:

770

9. Gross Weight [kg]:

40.00

10. Device type:

Electric unit

11. Construction type of device:

Drop-in

12. Power electric [kW]:

5.320

13. Loading:

400 V / 3N - 50 Hz

14. Device heating type:

Hot air

15. Maximum device temperature [°C]:

300

16. Minimum device temperature [°C]:

50

17. Power control type:

knob control

18. Additional information:

grate: 530 x 325 GN1/1

19. Oven Type:

electric hot air

20. Oven size:

GN 1/1

21. Width of internal part [mm]:

550

22. Depth of internal part [mm]:

360

23. Height of internal part [mm]:

340